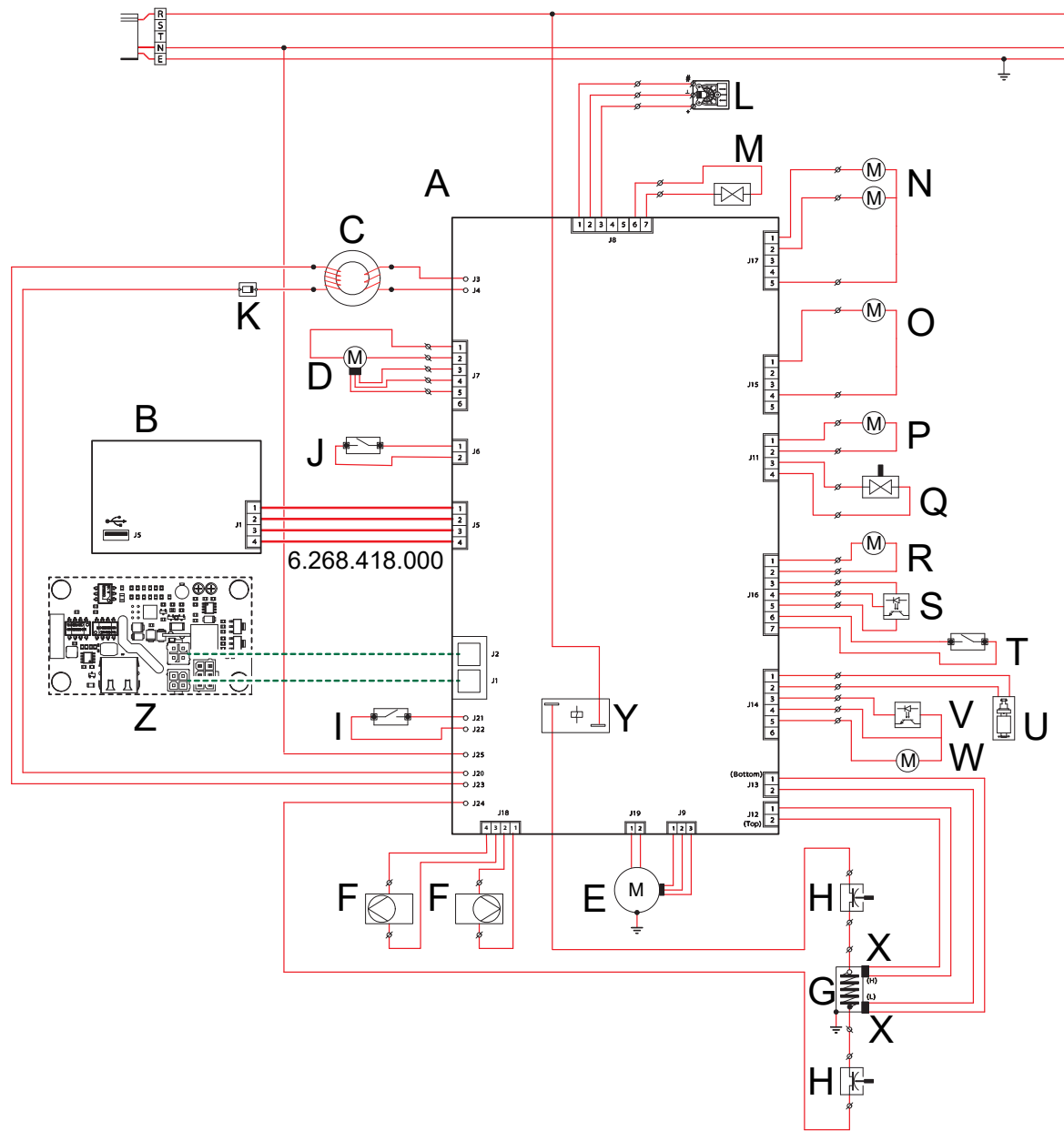


Sego version 2.0 (230V)



- A. Mainboard (I/O)
- B. Keyboard (GUI)
- C. Transformer
- D. Motor, Brewer
- E. Motor, Grinder
- F. Pump, high pressure
- G. Boiler
- H. Limiter, temperature safety
- I. Switch, Main
- J. Switch, Door
- K. Fuse
- L. Water counter
- M. Valve, cold water
- N. Motor, Hopper
- O. Motor, Mixer
- P. Motor, Fan
- Q. Valve, hot water
- R. Motor, Waterselector
- S. Lightsensor, Waterselector
- T. Switch, Brewer in position
- U. Floater
- V. Lightsensor, Motor pump
- W. Motor, Pump low pressure
- X. Temperature sensor (NTC)
- Y. Relais, Mainboard
- Z. Print MDB (optional)